



VSD130/13D2
hydraulic lifting unit

technical data sheet

LIBERVIT
manufacturer

LIBERVIT
ORANGEline

manual & hydraulic forcible
entry tools

LIBERVIT
ORANGEline

extrication
urban search & rescue tools

 **LIBERVIT**
maritime rescue

watery rescue tools

From a general point of view, even the most efficient equipment will not themselves be the solution to deal with all situations. They cannot guarantee the expected result, nor eliminate any risk for the rescuers.

As a manufacturer we OWE to ourselves and to the users to give priority to quality, reliability, performance, and innovations.

We will never be confronted to front-line situations, but you, on the other hand are facing them daily in France or elsewhere around the world and sometimes while using some of our tools.

It is at this very moment that our choice of components, raw materials to manufacture the tools that you are using, at this very moment, when you are about to save lives that the equipment must itself be failproof !

Internationally, France benefits from a strong reputation in the fields of security and victims' relief at the operational knowhow level as much as in the equipment manufacturing.

At LIBERVIT, we are experienced technicians, our professional ethic is unwavering and above all we know and respect those using our products and because of this close relationship we have considered their insights and suggestions in the making of our tools.

We pride ourselves in manufacturing French. All the labelled equipment that you had, have, or will have in your hands, are made in France with more than 90% of components and raw materials of French origin or from close European Union countries such as Germany, Norway and Italy.

Our 25 years in the design and manufacturing of hydraulic and mechanical tools with land and water applications for the Firefighters, the Army and Police Special Forces, our seriousness, our professionalism, and our never ended search for innovations has made us a key player within these professional environments.

LIBERVIT is represented in over 60 countries through our specialized Distributors network offering commercial advice, demos, maintenance and after sale service. All of the LIBERVIT team and myself are available to ensure that none of your question remains unanswered.

We wish you a pleasant read.

A handwritten signature in black ink, appearing to read 'Yvan Cardona', written over a light blue horizontal line.

Yvan CARDONA, CEO

Quality & Reliability

Our organization, from engineering to customers' service is ISO 9001 certified. It guarantees a high quality, life-long performance and complete reliability of our tools and equipment.

Unless otherwise specified by us, our equipments are guaranteed for 3 years from the dispatch date. The guarantee covers construction defects as well as material flaws noted by our services.

LIBERVIT will provide, for a minimum of 10 years after delivery, any of its tools' spare parts. All our equipments comply with CE standard.

All our tools undergo rigorous test & control before shipment.



VSD130/13D2 - hydraulic lifting unit

the VSD130/13D2 hydraulic lifting jacks allow to lift heavy loads alternately or simultaneously

hydraulic jack, ref. VSD130

hydraulic hose red, ref. LF3VSD2

hydraulic hose blue, ref. LF3VSD1



VSD130/13D2



The VSD130/13D2 lifting unit allows the simultaneous or alternating use of two high-power hydraulic cylinders.

The unit is composed of a distributor ref. D2, two VSD 130 hydraulic jacks with a thrust force of 130 kN, two hydraulic hoses ref. L3VSD1 and L3VSD2 (red or blue in order to differentiate them).

After placing the VSD130 hydraulic jacks under their loads, each of the jacks can be activated by the D2 distributor.

The lifting unit can be operated by all LIBERVIT hydraulic power unit as well as manual hydraulic pumps.

As an option, an extension ref. R170 allows an extension of 170 mm, hydraulic coupler protection caps ref. BF and BM, as well as a PELICASE® protective case ref. VDT/VSD130.



VSD130/13D2 - hydraulic lifting unit

TECHNICAL CHARACTERISTICS



hydraulic lifting unit ref. VSD130/13D2

includes :

distributor	qty 1, ref. D2
hydraulic connections	for central hose or LIBERVIT manual pump
hydraulic connections cylinders	2 outputs, blue and red with protective caps
return levers cylinders	qty 2, blue and red
distributor check valve	yes, integrated
pressure gauge	qty 2, blue and red
distributor lever	yes, 3 positions : P1, P2 et simultaneously
main valve	yes, 2 positions
power button	yes
dimensions	340 x 284 x 168 mm - 13.5 x 11 x 6.5 inch
weight	7.6 kg - 17 lbs



blue hydraulic hose	qty 1, ref. LF3VSD1
length	3 m - 10 ft
weight	1.5 kg - 3.5 lbs



red hydraulic hose	qty 1, ref. LF3VSD2
length	3 m - 10 ft
weight	1.5 kg - 3.5 lbs



hydraulic jack	qty 2, ref. VSD130
service pressure	maximum 300 bar
jacks thrust	130 kN
jack retracted length	278 mm - 11 inch
jack deployed length	408 mm - 16 inch
jack's stroke	130 mm - 5 inch
jack's head	qty 2, amovible, ref. TVSD130
jack's feet	notched for better grip
transport handle	yes, swivel hydraulic connection
dimensions	258 x 278 X 114 mm - 10 x 11 x 4.5 inch
weight	8.8 kg - 19.5 lbs

lifting unit total weight	28.2 kg - 4.5 st
---------------------------	------------------



jack's extension	on option, ref. R170
extension	170 mm - 6.5 inch
adaptable	on VSD130/13 hydraulic jack and with jack's head
dimensions	210 x 60 mm - 8.5 x 2.5 inch
weight	780 gr - 2 lbs



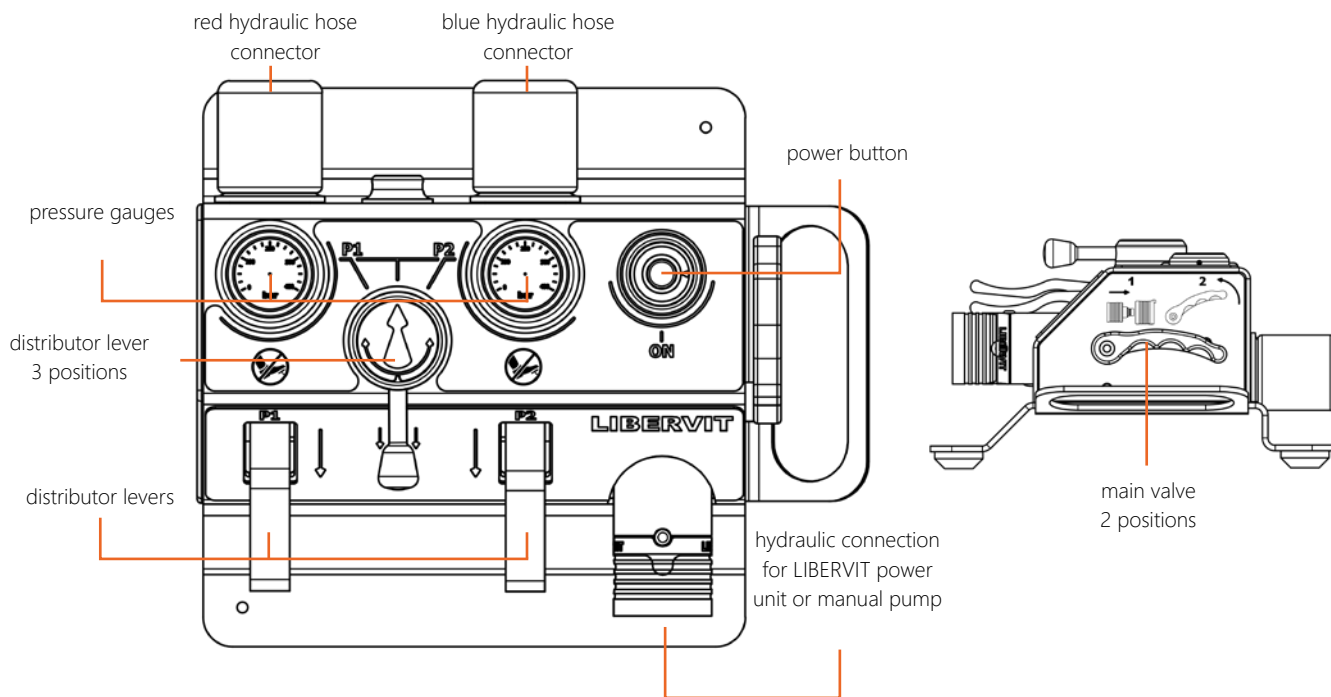
valise de transport PELICASE®	on option, ref. VDT/VSD130
colour	black
silca gel cartridge	qty 1, used to prevent humidity
telescopic handle	yes
wheels	yes
dimensions	795 x 518 x 394 mm - 31 x 20.5 x 15.5 inch
weight	13.5 kg - 29.5 lbs



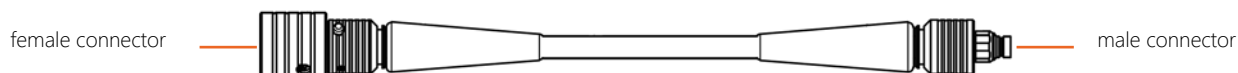
hydraulic coupling protection cap	on option, ref. BF
-----------------------------------	--------------------

COMPONENT IDENTIFICATIONS

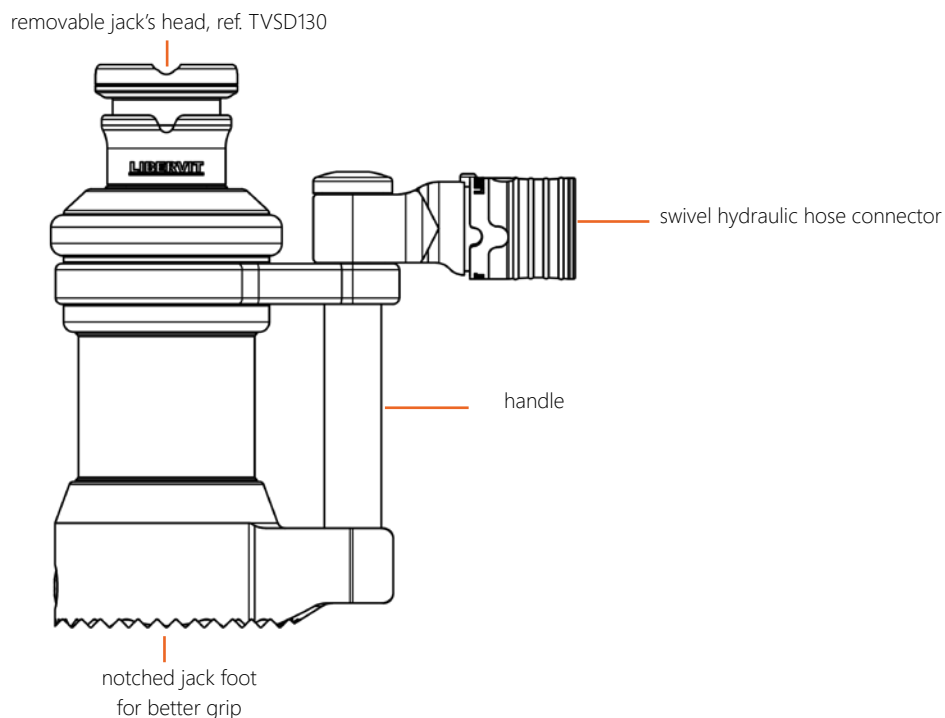
x1 distributor ref. D2



x2 hydraulic hoses blue and red, 3 m, ref. LF3VSD1 & ref. LF3VSD2



x2 hydraulic jacks blue and red, ref. VSD130









> **QUOTATIONS** : quotations@libervit.com



> **ORDERS** : orders@libervit.com



> **AFTER SALES SERVICE** : aftersales@libervit.com



libervit.com



gallery-libervit.com

We have tried to be as thorough as possible in the making of this document. However, some information might be incomplete or incorrect. LIBERVIT SAS cannot in anyway be held responsible for any of the consequences these errors could have.

If in doubt about some of the information rightness please contact our communication service through e-mail: communication@libervit.com

This document cannot be reproduce in part or entirely, be edited or distributed to the public without an authorization from LIBERVIT.

LIBERVIT - Espace Polygone - 218 rue Ettore Bugatti - 66000 Perpignan - FRANCE
Phone : +33 (0)4 68 50 05 25 - Fax : +33 (0)4 68 66 98 97 - courrier@libervit.com
www.libervit.com

